

# HIGH PRESSURE BLOWERS & FANS

## MILL EXHAUST, FANS MATERIAL HANDLING



Capacity range	- air flow to	25 m <sup>3</sup> /s
	- fan static pressure to	5.0 kPa
Housing	- single width	

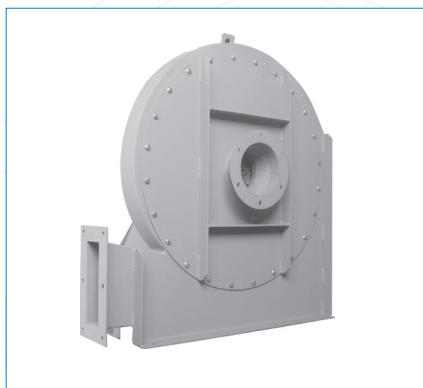
### APPLICATION

The Mill Exhaust Series is a range designed for heavy-duty applications, and exhaust systems conveying materials; two types of impeller can be fitted:-

- Open paddle wheel designed for exhausting buffing wheel and abrasive dust, and for conveying all types of granular materials, wood-chips and saw dust. It can also be used for fume exhaust, high temperature air handling and induced draft applications.
- Radial-bladed impeller with backplate (commonly known as the Wool Wheel) - specifically designed to handle long, fibrous or stringy materials such as paper trim, rags, long wood shavings and lucerne.

Both impellers have steeply rising pressure curves and an overloading power curve, necessitating care when selecting the motor.

## HIGH PRESSURE BLOWERS SERIES 101/2000/3000



Capacity range	- air flow to	13 m <sup>3</sup> /s
	- fan discharge static pressure to	15 kPa
	- fan intake static pressure to	12 kPa
Housing	- single width	

### APPLICATION

The 101 Series is designed for use on air slides, flotation tables and combustion air, as well as vacuum producers. There are three series of high pressure blowers; the 101, 102 and 103. These have multiple radial-tipped impellers with a curved inlet heel. This design ensures that pressure is maintained over a wide range of capacities and with a stable pressure curve, from shut-off to free-flow, without surging.

The 2000 and 3000 Series have been developed to meet the requirements of low to medium volumes at high static pressures.

The 2000 Series uses a flat backward inclined impeller type. The 3000 Series incorporates a shrouded radial blade and has the ability to handle greater dust loading. Both of these blades are largely self-cleaning.

## TURBOVANE RADIAL



Capacity range	- air flow to	60 m <sup>3</sup> /s
	- fan static pressure to	8 kPa
Housing	- single width	

### APPLICATION

The TurboVane is a heavy duty series used for induced-draft boiler fans or for handling dust-laden air from industrial processes at standard or elevated temperatures.

The impeller blades are single-plate, radial-tip and with a forward heel shape with self-cleaning characteristics.

The performance is stable, with a steeply rising pressure curve.

The power curve has overloading characteristics, necessitating care when selecting the motor.

## PURPOSE DESIGNED FANS

We have the design capacity to produce special purpose fans; contact our sales engineers with your requirements.